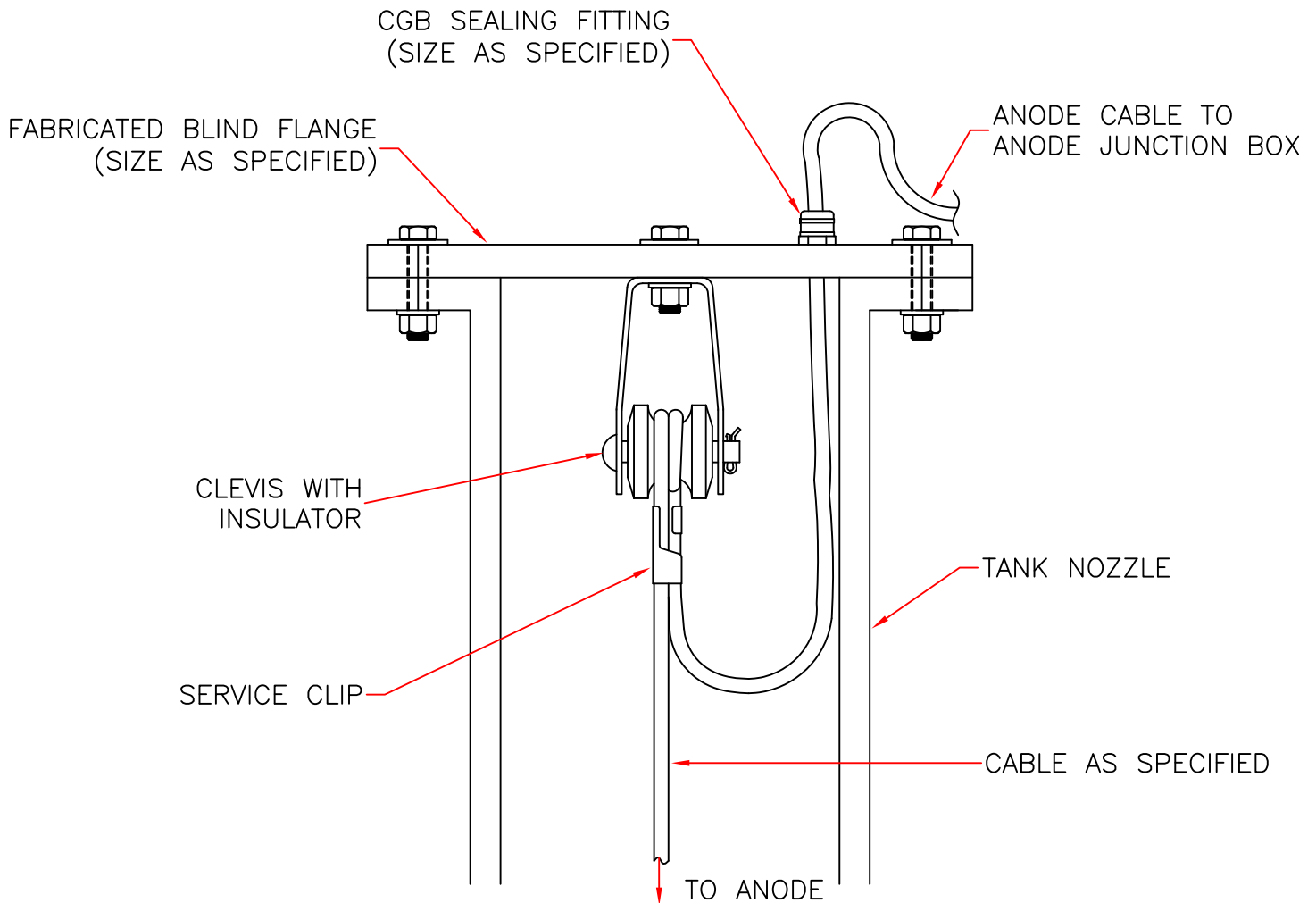


REVISIONS			
REV	DESCRIPTION	DATE	APPROVED
0	ISSUED FOR REVIEW		



DRAWN BY T.S.H. 4/09		ENGINEER		FARWEST CORROSION CONTROL COMPANY 1480 W. Artesia Blvd. Gardena, California	
JOB NO.		TYPICAL CATHODIC PROTECTION TANK HANGER ASSEMBLY			
		SIZE A	DWG NO. S-16E-1		
		FILE S-16E-1	SCALE NONE	REV 0	SHEET 1 of 1