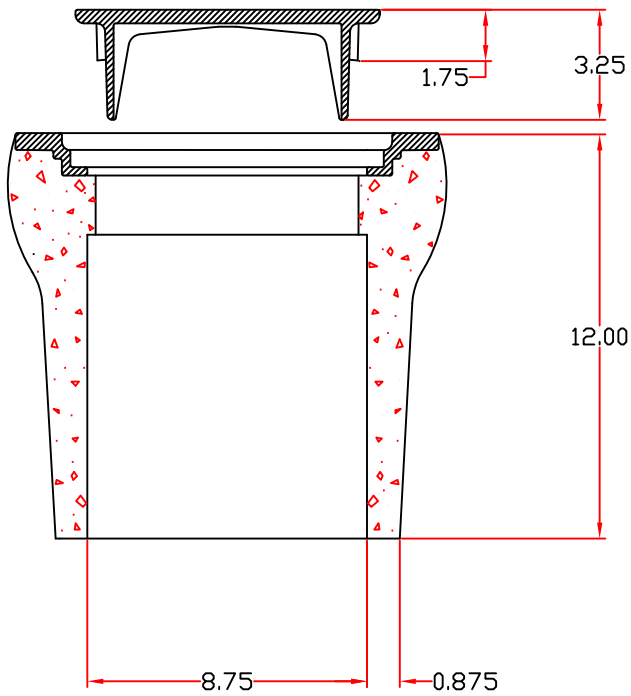
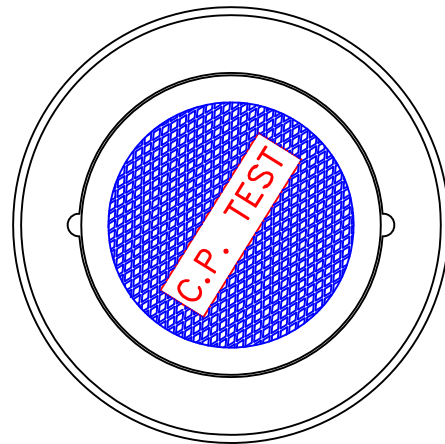
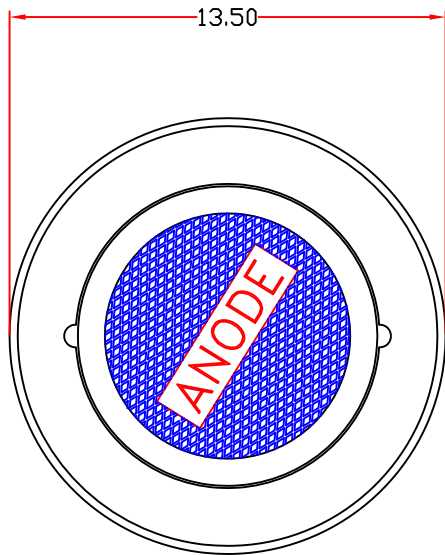



REVISIONS			
REV	DESCRIPTION	DATE	APPROVED
0	ISSUED FOR REVIEW		



DRAWN BY T.S.H. 12/08		FARWEST CORROSION CONTROL COMPANY	
ENGINEER		1480 W. Artesia Blvd. Gardena, California	
JOB NO.		TYPICAL CATHODIC PROTECTION TRAFFIC TEST LEAD BOX	
			
SIZE A		DWG NO. S-2B	
FILE S-2B	SCALE NONE	REV 0	SHEET 1 of 1