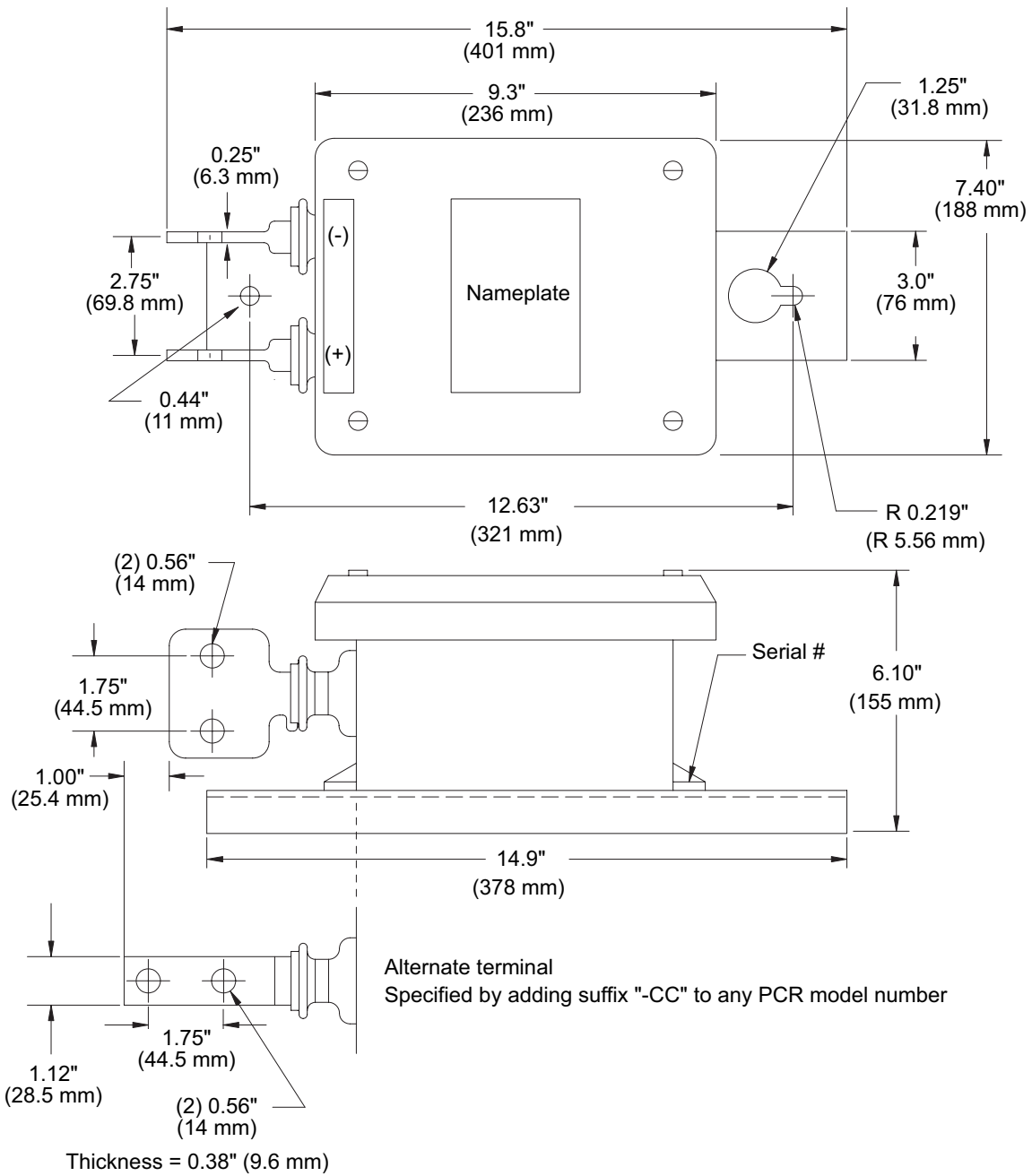


PCR Outline Dimensions

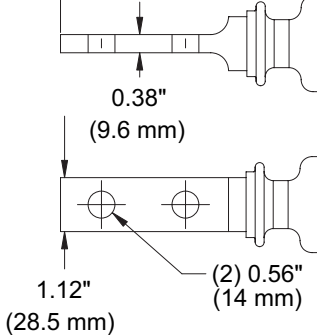
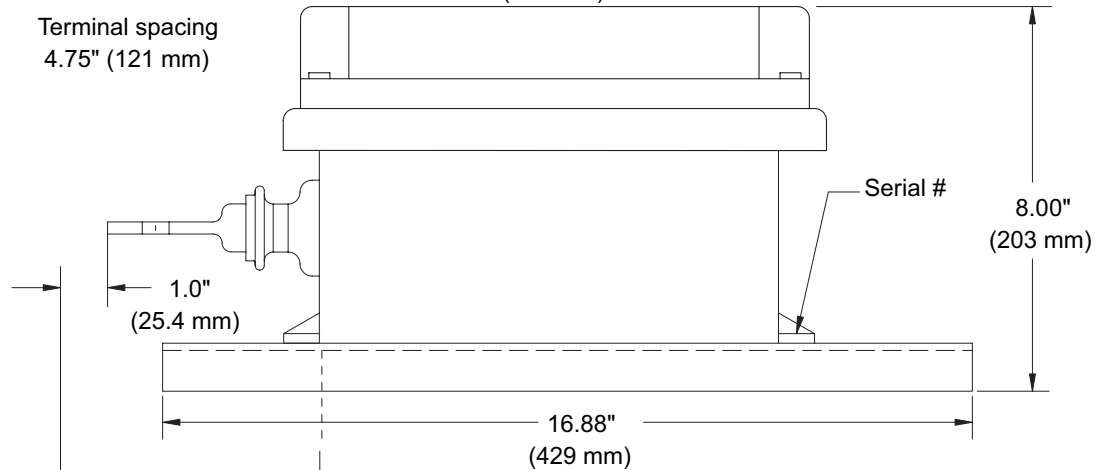
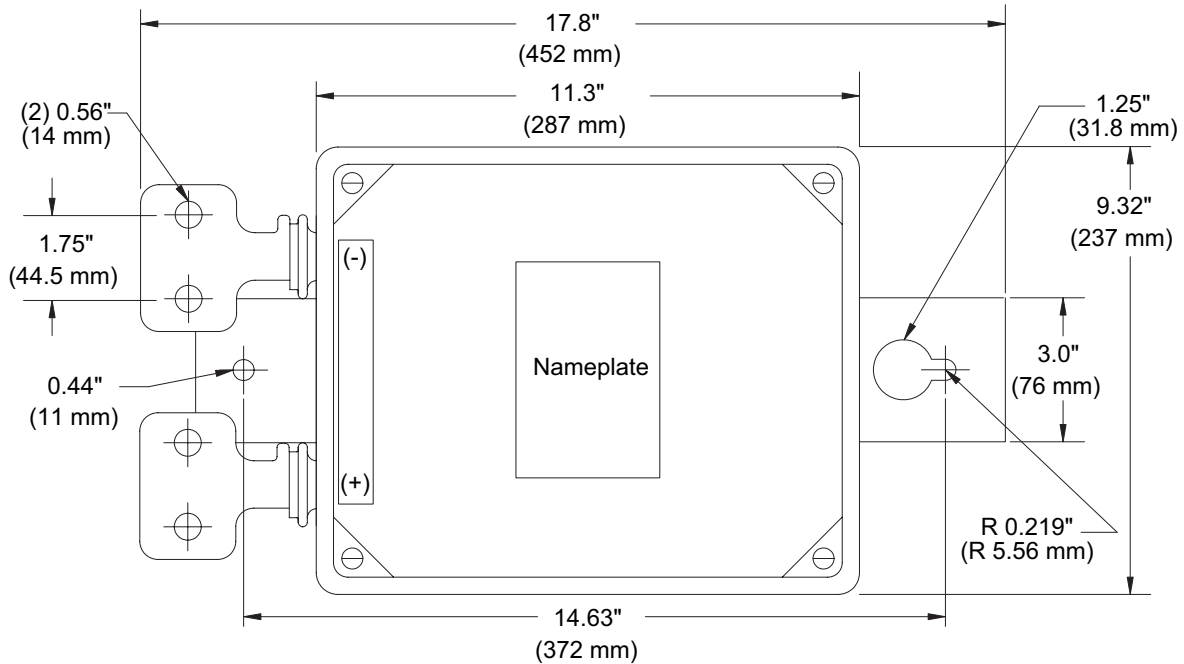


Applies To Models:

PCR-3.7KA & PCR-10KA @ 60 Hz

PCR-3.5KA & PCR-9KA @ 50 Hz

PCR Outline Dimensions



Alternate terminal  
Specified by adding "-CC" to any PCR model number

Alternate terminal - rotated 90°  
Hole spacing = 1.75" (44.5 mm)

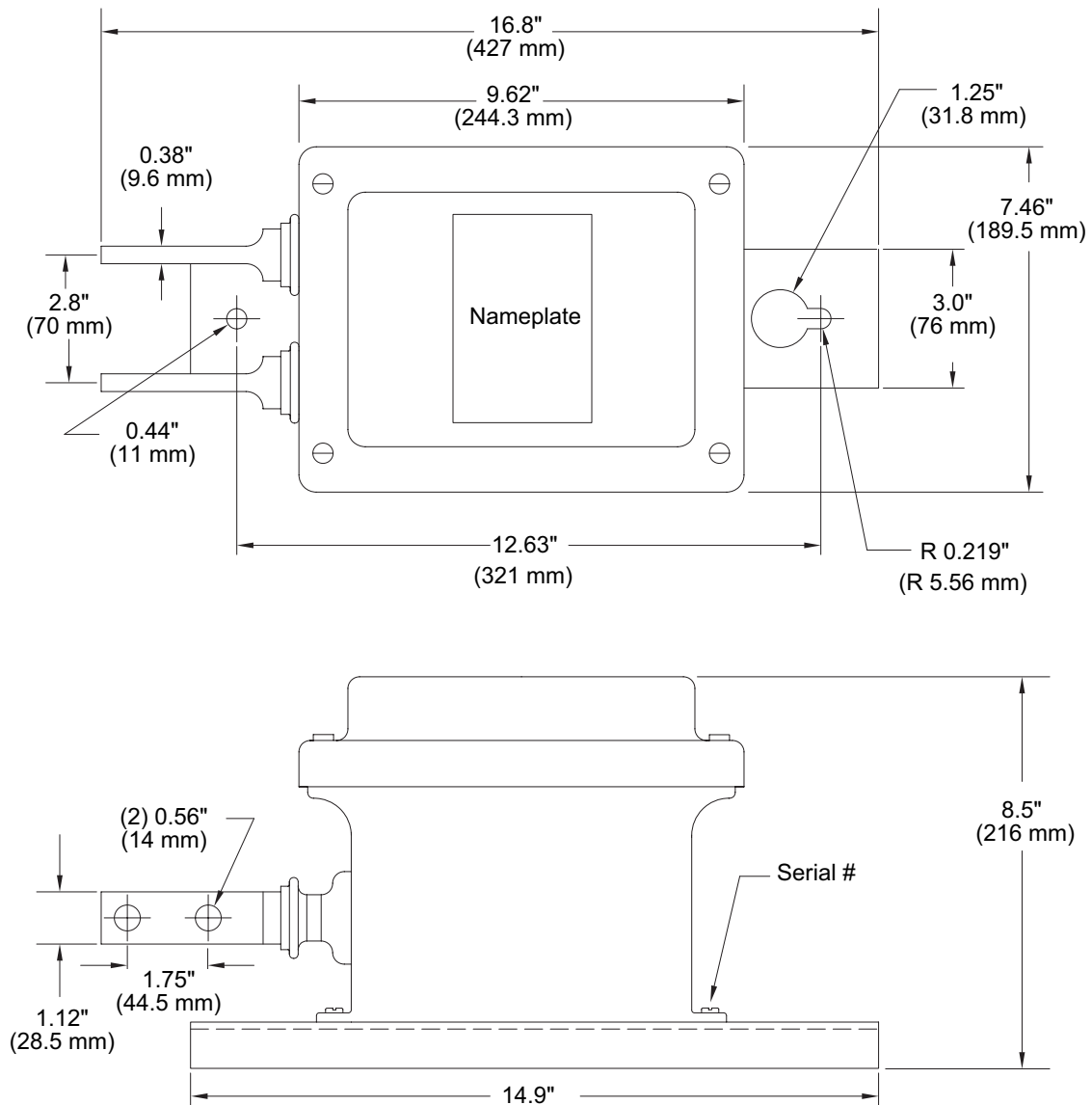
Applies To Models:

PCR-15KA/80A @ 60 Hz

PCR-14KA/70A @ 50 Hz

Also is an alternate enclosure to models listed in Figure 9D.

PCR Outline Dimensions



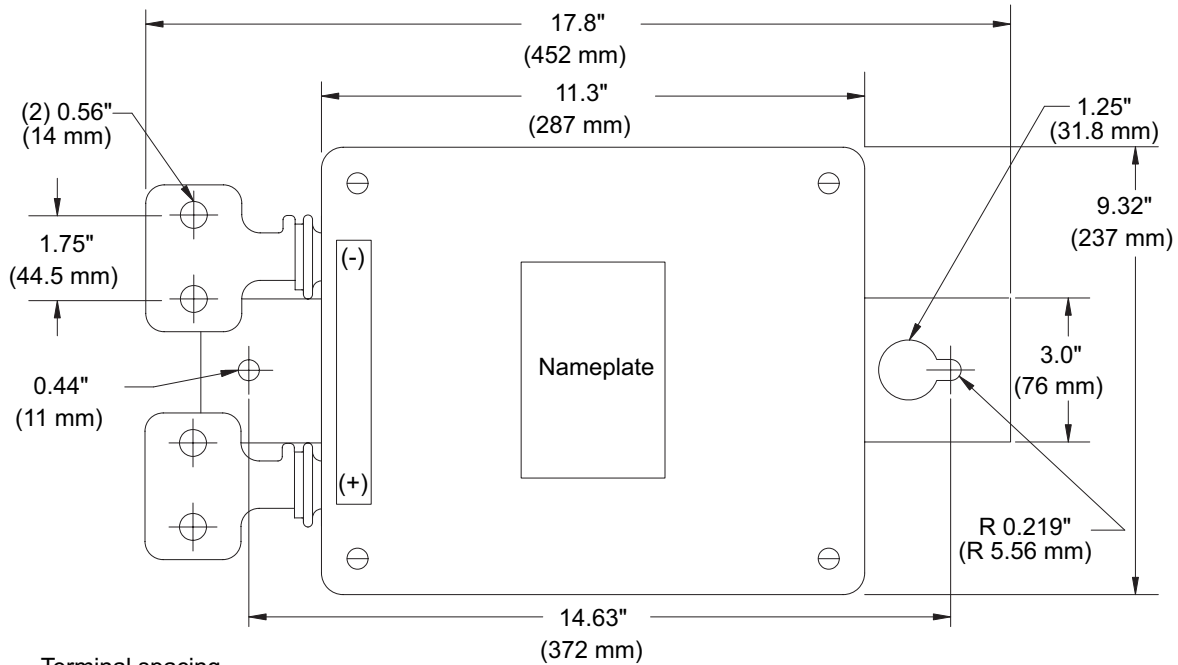
Applies To Models:

PCR-3.7KA/80A and PCR-10KA/80A @ 60 Hz

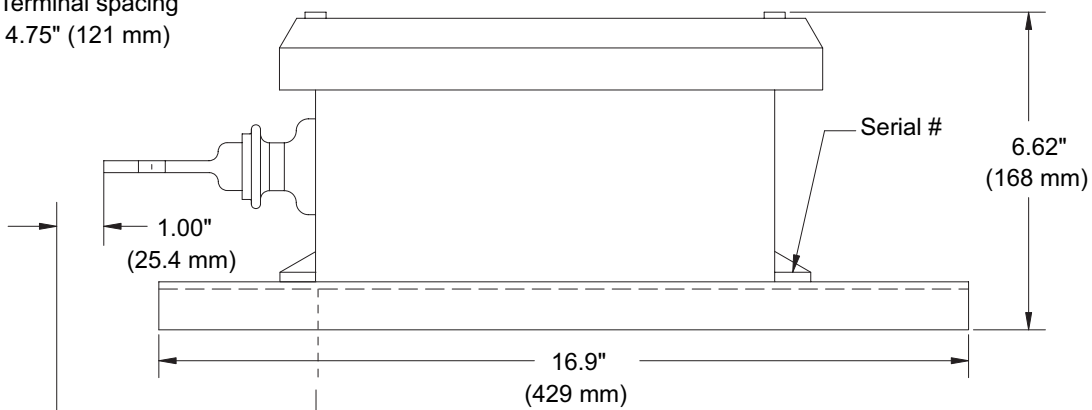
PCR-3.5KA/70A and PCR-9KA/70A @ 50 Hz

See notes in Figure 9C regarding alternate enclosure.

PCR Outline Dimensions



Terminal spacing  
4.75" (121 mm)



Alternate terminal  
Specified by adding "-CC" to any PCR model number

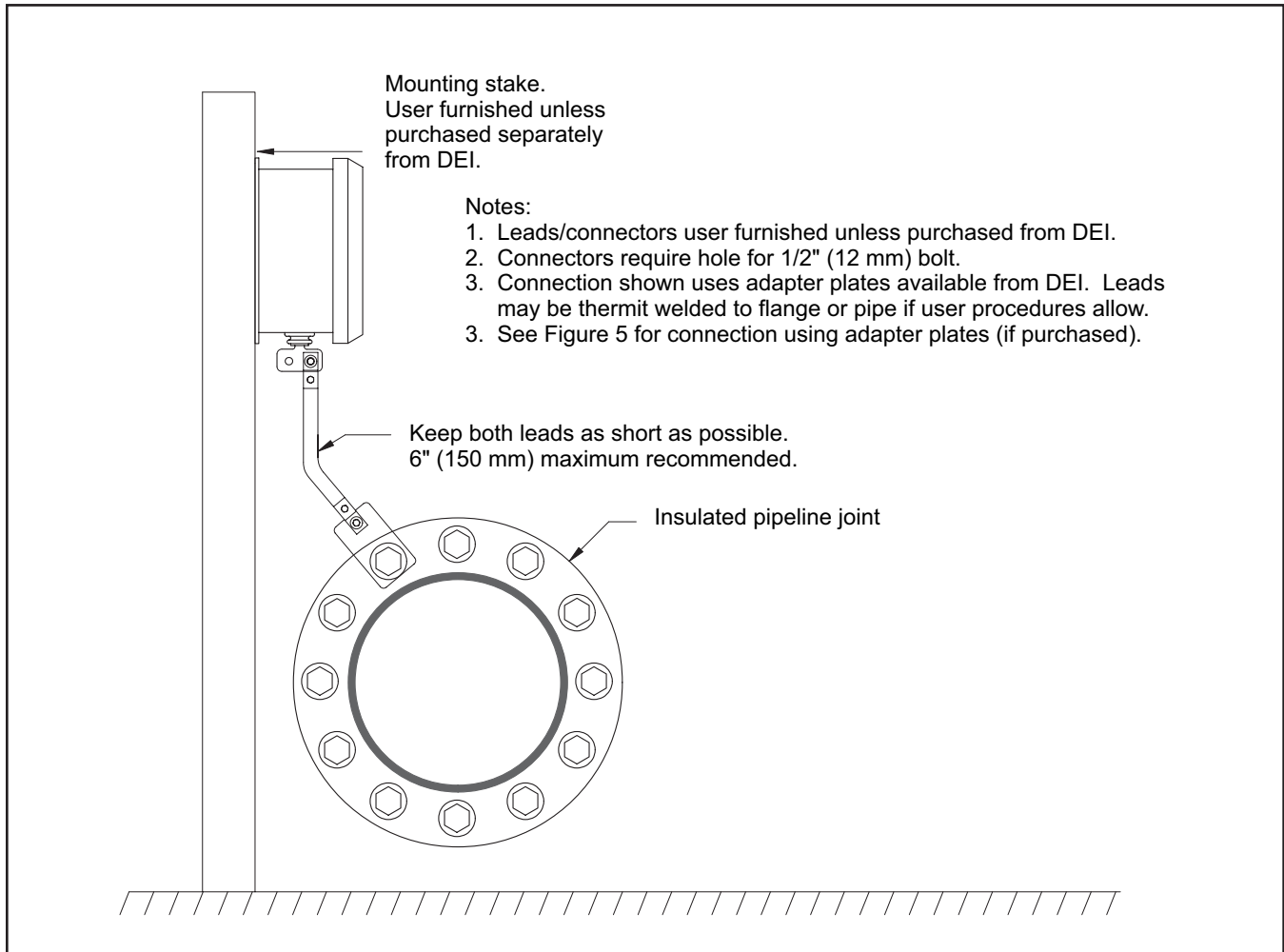
Alternate terminal - rotated 90°  
Hole spacing = 1.75" (44.5 mm)

Applies To Models:

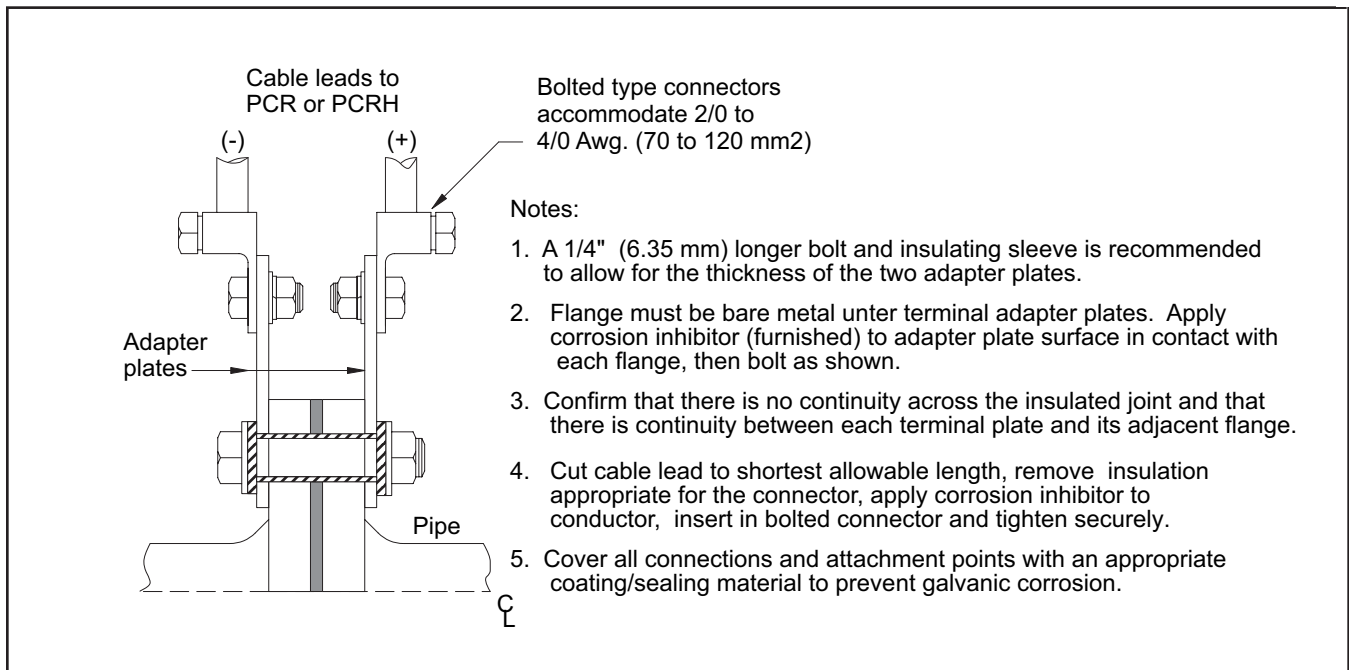
PCR-15KA @ 60 Hz

PCR-14KA @ 50 Hz

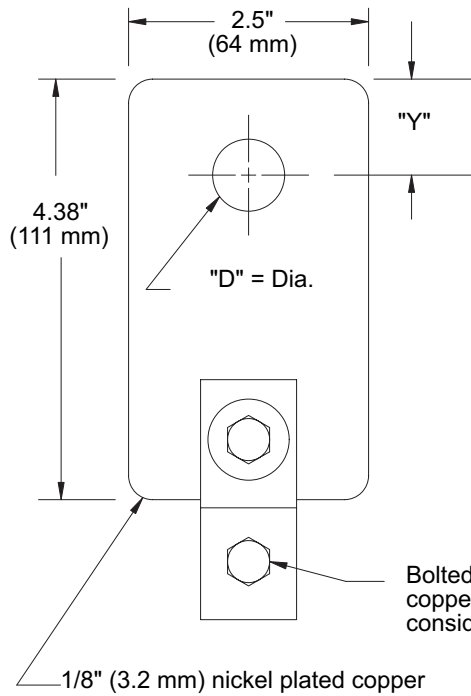
Typical Installation for Insulated Joint Protection



Connection to Bolted-Type Insulated Joint using Adapter Plates



Adapter Plates – PCR or PCRH



To order Adapter Plate, specify hole diameter "D" in inches or mm in the following part number: AP-"D".

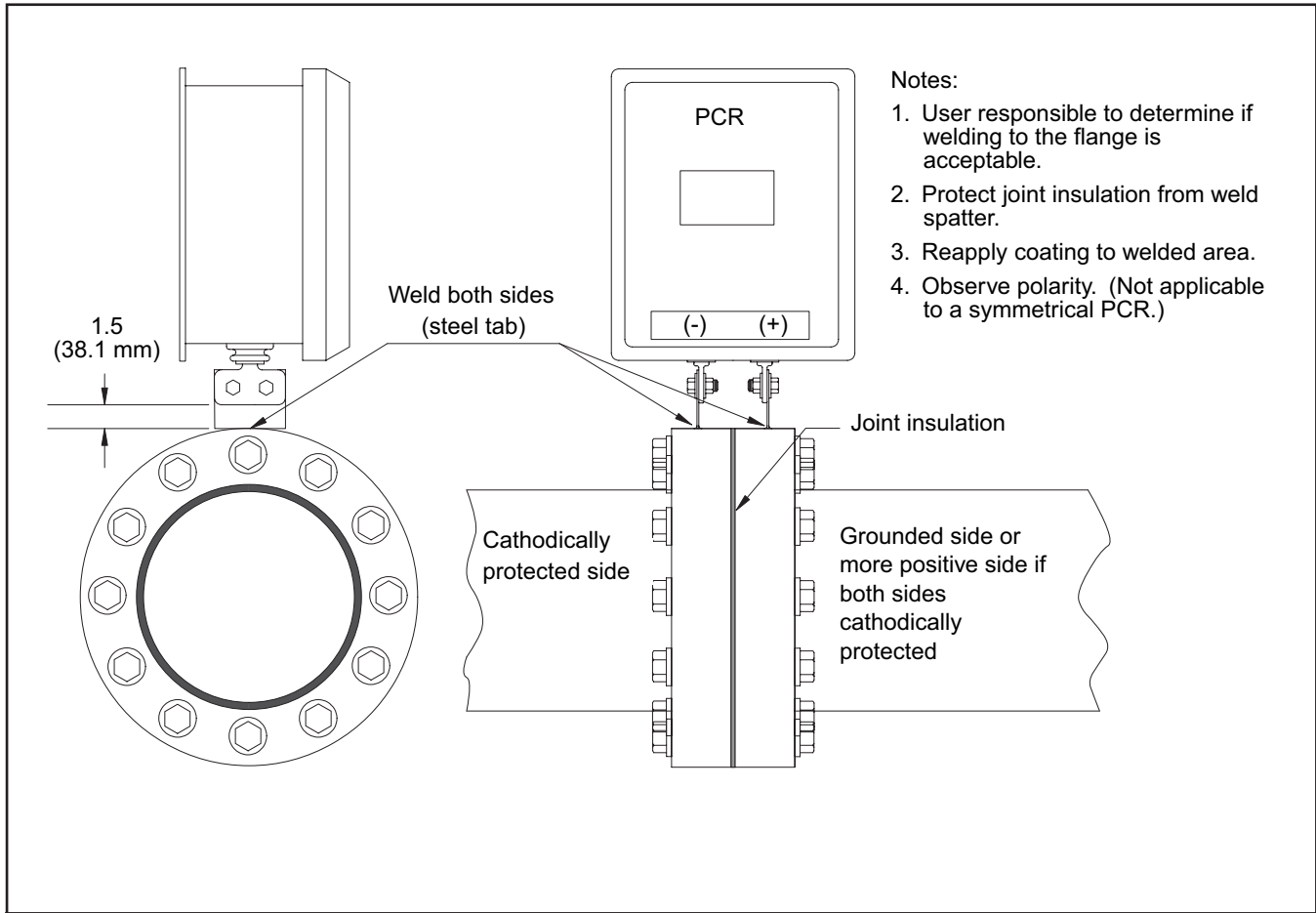
(For insulated joint application, allow for the insulating sleeve diameter, if applicable.)

If Dia. "D" is:	Then "Y" is:
5/8" - 7/8" (16 mm - 22 mm)	3/4" (20 mm)
1.0" - 1-1/8" (25 mm - 29 mm)	1.0" (25 mm)
1-1/4" - 1-3/8" (32 mm - 35 mm)	1-1/4" (32 mm)

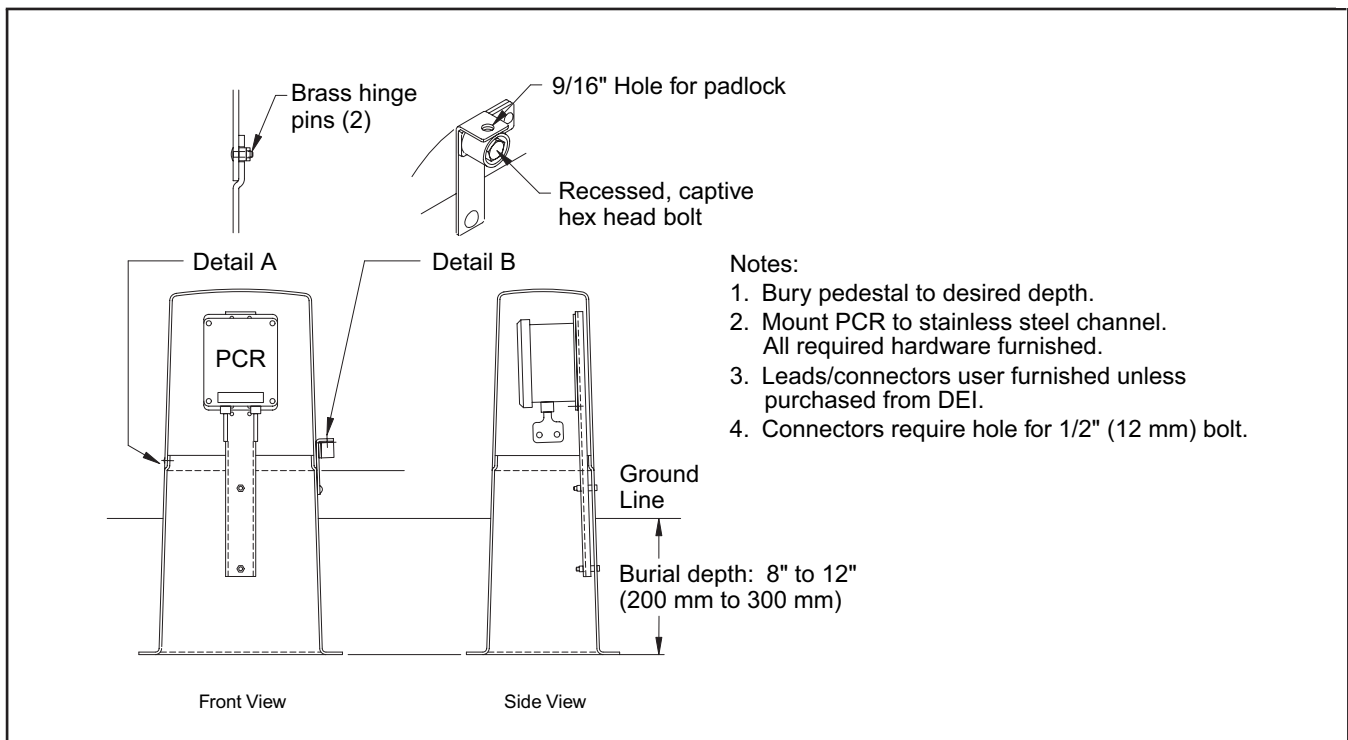
Bolted connection accommodates 2/0 to 4/0 Awg. (70 to 120 mm<sup>2</sup>) copper conductor. Other size terminals and adapter plates will be considered upon request.

1/8" (3.2 mm) nickel plated copper

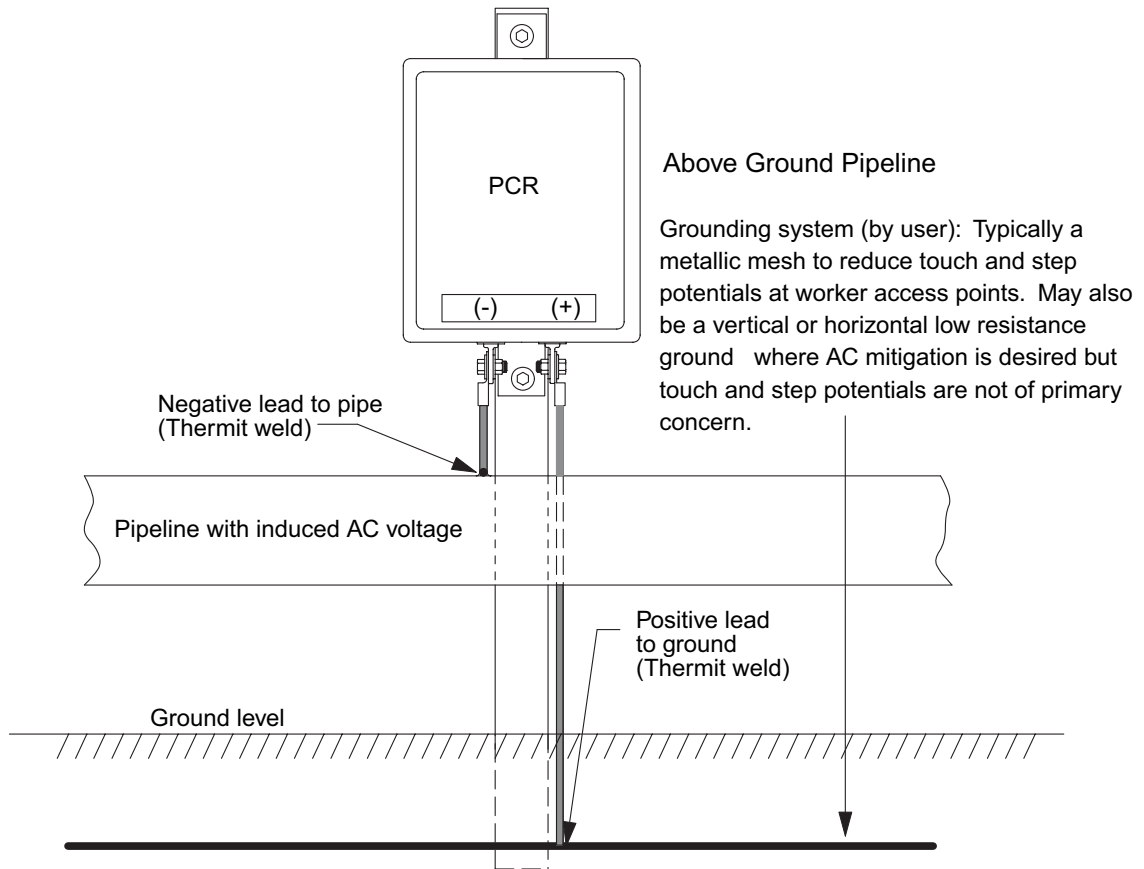
Web Tab Mounting of a PCR for Over-Voltage Protection of an Insulated Joint



PCR Mounted in a Pedestal Enclosure



Typical Installation for AC Voltage Mitigation



Notes:

1. Mounting stake (by user) unless purchased separately from DEI. If the pedestal enclosure shown in Figure 6 was ordered, then a separate mounting stake is not required.

